



Speed Dome
Technical Manual

Notices

The information in this documentation is subject to change without notice and does not represent any commitment on behalf of HIKVISION. HIKVISION disclaims any liability whatsoever for incorrect data that may appear in this documentation. The product(s) described in this documentation are furnished subject to a license and may only be used in accordance with the terms and conditions of such license.

Copyright © 2006-2012 by HIKVISION. All rights reserved.

This documentation is issued in strict confidence and is to be used only for the purposes for which it is supplied. It may not be reproduced in whole or in part, in any form, or by any means or be used for any other purpose without prior written consent of HIKVISION and then only on the condition that this notice is included in any such reproduction. No information as to the contents or subject matter of this documentation, or any part thereof, or arising directly or indirectly therefrom, shall be given orally or in writing or shall be communicated in any manner whatsoever to any third party being an individual, firm, or company or any employee thereof without the prior written consent of HIKVISION. Use of this product is subject to acceptance of the HIKVISION agreement required to use this product. HIKVISION reserves the right to make changes to its products as circumstances may warrant, without notice.

This documentation is provided “as-is,” without warranty of any kind.

Please send any comments regarding the documentation to:
overseabusiness@hikvision.com

Find out more about HIKVISION at www.hikvision.com

DS-2DF7284-A



Key features

IR function:

- 0 Lux minimum illumination
- Up to 120m IR distance
- IR light MTBF reaching up to 30,000 hours

System function:

- 1/3" high performance CMOS, up to 1920x1080 resolution
- $\pm 0.1^\circ$ Preset Accuracy
- ONVIF(Open Network Video Interface Forum)、CGI(Common Gateway Interface)、PSIA(Physical Security Interoperability Alliance), to ensure greater interoperability between different platforms and compatibility
- 3D intelligent positioning function
- 3D DNR
- Power-off memory function: restore PTZ & Lens status after reboot
- Scheduled PTZ movement

Camera function:

- Auto iris, auto focus, auto white balance, backlight compensation, WDR and auto/manual day & night switch
- Privacy masks programmable

PTZ function:

- 360° endless pan range and -2°-90° tilt range
- 160°/s Pan Preset Speed and 120°/s Tilt Preset Speed
- 0.1°-160°/s Manual Pan Speed and 0.1°-120°/s Manual Tilt Speed
- 256 presets programmable; preset image freezing capability
- 8 patrols, up to 32 presets per patrol
- 4 patterns, with the recording time not less than 10 minutes per pattern
- Proportional zoom function
- Park action: auto call up of PTZ movement, after a defined time of inactivity
- 7 alarm inputs and 2 alarm outputs

Network function:

- H.264/MJPEG/MPEG4 video compression and the latest Davinci processing chip and platform
- Built-in Web server
- SD/SDHC card local storage
- Dual stream
- Multiple network protocols supported:IPv4/IPv6,HTTP,HTTPS,802.1x,Qos,FTP,SMTP,UPnP,SNMP,DNS,DDNS,NTP,RTSP,RTP,TCP,UDP,IGMP,ICMP,DHCP,PPPoE
- 1 audio input and 1 audio output

Application Scenarios

It can be widely applied to places with no lights or weak lights requiring wide-area and high-definition monitoring, such as rivers, forests, highways, railways, airports, ports, sentries, squares, parks, scenic sites, streets, stations, large venues, outside of residential areas, etc.

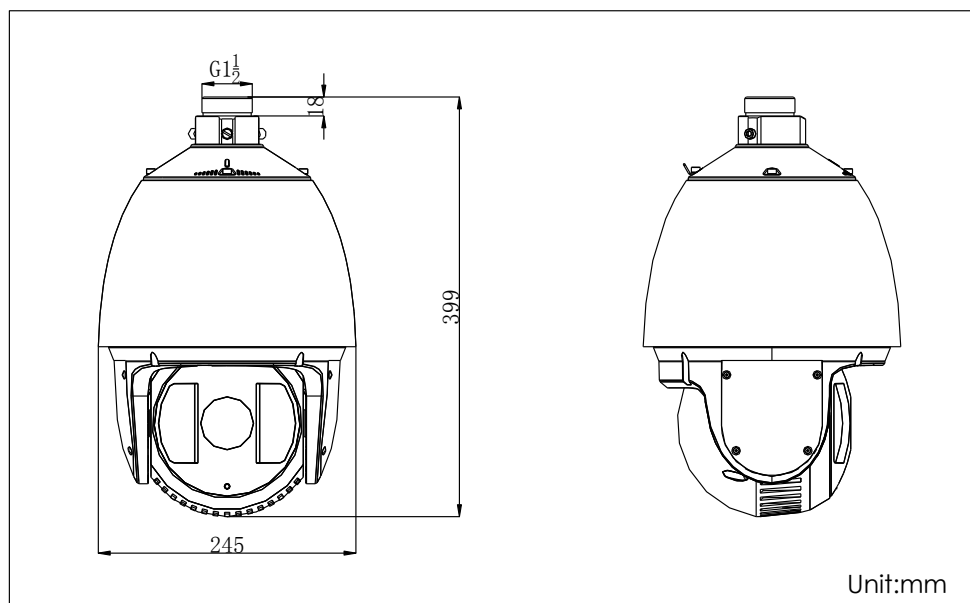
Specifications

Parameter		Model
		DS-2DF7284-A:24VAC,Outdoor 2 Megapixel Network IR Speed Dome
Camera	Image Sensor	1/3" Progressive Scan CMOS
	Effective Pixel	2230K pixels
	Min. Illumination	Color: 0.05Lux@F1.6 B/W: 0.005Lux@F1.6 0 Lux with IR
	White Balance	Auto / Manual / One touch WB/ATW
	AGC	Auto / Manual
	S / N Ratio	≥ 50dB
	DNR	off/normal/expert
	BLC	On / Off
	Shutter Time	50Hz: 1/25-1/10,000s 60Hz: 1/25-1/10,000s
	Day & Night	IR Cut Filter
	Privacy Mask	24 privacy masks programmable; a maximum of 8 zones can be masked simultaneously on the same video screen
	Focus Mode	Auto / Semiautomatic / Manual
Lens	Focal Length	4.7-94mm, 20x
	Zoom Speed	Approx.2.7s(Optical Wide-Tele)
	Angle of View	58.3-3.2 degree (Wide-Tele)
	Min. Working Distance	10-1500mm(Wide-Tele)
	Aperture Range	F1.6-F3.5
Pan and Tilt	Pan Range	360° endless
	Pan Speed	Pan Manual Speed: 0.1°-160°/s, Pan Preset Speed: 160°/s
	Tilt Range	-2°-90° (Auto Flip)

	Tilt Speed	Tilt Manual Speed: 0.1°-120°/s, Tilt Preset Speed: 120°/s
	Proportional Zoom	Rotation speed can be adjusted automatically according to zoom multiples
	Number of Preset	256
	Patrol	8 patrols, up to 32 presets per patrol
	Pattern	4 patterns, with the recording time not less than 10 minutes per pattern
	Power-off Memory	Support
	Park Action	Preset / Patrol / Pattern / Pan scan / Tilt scan / Random scan / Frame scan / Panorama scan
	PTZ Position Display	On / Off
Preset Freezing	Support	
Infrared	IR Distance	120m
	IR Intensity	Automatically adjusted, depending on the zoom ratio
Alarm	Alarm Input	7
	Alarm Output	2 relay outputs, alarm response actions configurable
	Alarm Action	Preset, Patrol, Pattern, SD/SDHC card recording, Relay output, Notification on Client
Input/ Output	Monitor Output	1.0V[p-p] / 75Ω, NTSC (or PAL) composite, BNC
	Audio Input	Audio input (LINE input), 2-2.4V[p-p]; output impedance: 1KΩ, ±10%
	Audio Output	Line level, impedance: 600Ω
Network	Ethernet	10Base-T / 100Base-TX, RJ45 connector
	Max.Image Resolution	1920×1080
	Frame Rate	50Hz: 25 fps (1920×1080)、25 fps (1280×960) 、25 fps (1280×720) 60Hz: 30 fps (1920×1080)、30 fps (1280×960) 、30 fps (1280×720)
	Image Compression	H.264/MJPEG/MPEG4
	Audio Compression	G.711ulaw/G.711alaw/G.726
	Protocols	IPv4/IPv6,HTTP,HTTPS,802.1x,Qos,FTP,SMTP,UPnP,SNMP,DNS,DDNS,NTP,RTSP,RTP,TCP,UDP,IGMP, ICMP,DHCP,PPPoE
	Number of Simultaneous Live View	Up to 10
	Dual Streams	Support
	Mini SD Memory Card	Manual REC / Alarm REC. Built-in SD/SDHC Slot, up to 32GB
	User/Host Level	Up to 32 users, 3 Levels: Administrator, Camera control, Live view only
	Security Measures	User authentication (ID and PW), Host authentication (MAC address)
System Integration	Interface for application programming	Open-ended API, support Onvif, PSIA and CGI, hikvision SDK
Client GUI	Camera Control	Pan / Tilt, Zoom, Focus, Click centering, Drag zoom, Iris, Preset position call and program, Auto mode.
	Camera Name	Up to 18 characters
	Date & Time Display	Time: Week: Date, 6 formats on the Client
	Reading Patrol Message	Display and reading of preset message contained in each patrol via client software
Fiber	Data Mode	10Base-T / 100Base-TX

Interface (available for fiber dome only)	Physical Interface	FC
	Fiber Wavelength	TX1310/RX1550nm
	Fiber Type	Single Fiber/Single mode
	Transmission Distance	20km
General	Menu Language	English
	RS-485 Protocols	HIKVISION, Pelco-P, Pelco-D, self-adaptive
	Power Supply	24VAC/3A
	Power Consumption	Max. 50W(IR LED On) ,Max. 35W(IR LED Off)
	Working Temperature / Humidity	-30 °C -65°C (-22°F -149°F)(outdoor) 90% or less
	Protection Level	IP66 standard (outdoor dome) TVS 4,000V lightning protection, surge protection and voltage transient protection
	Mounting	Various mounting modes optional
	Dimensions	Φ245×399mm (Φ9.65"×15.71")(Outdoor)
	Weight (approx.)	5.5kg(12.13lbs)
	Mount Option	Long-arm wall mount: DS-1614ZJ; Indoor short-arm wall mount: DS-1615ZJ Corner mount: DS-1633ZJ; Pole Mount: DS-1622ZJ; Power box mount:DS-1634ZJ

Dimensions



Accessories

DS-1614ZJ Long-arm Wall Mount Bracket