

## DS-1272ZJ-110-TRS

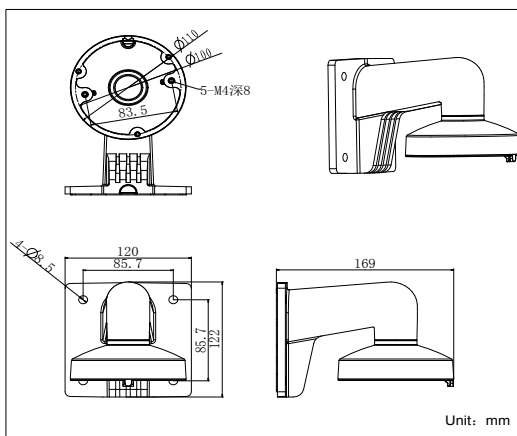
Wall Mounting Bracket for Mini Dome Camera



### Features:

- Aluminum alloy material with surface spray treatment
- Good feature with the hole of cable entrance
- Better water proof design
- Convenient installation with ring adapter below the cap

### Dimension:



### Order Model:

DS-1272ZJ-110-TRS

### Parameter:

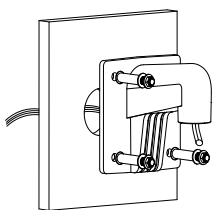
Model	DS-1272ZJ-110-TRS
Parameters	Wall Mounting Bracket for Dome Camera
Appearance	Hikvision White
Material	Aluminum Alloy and Steel
Dimension	$\Phi 110 \times 120 \times 120\text{mm}$
Weight	605g

### Notice:

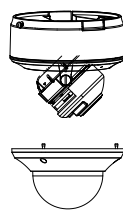
- Pay attention to the color matching when select bracket
- The bracket should be installed on flat wall
- The wall must be capable of supporting over 3 times as much as the total weight of the camera and the mount.
- The maximum load capacity of the bracket is 4.5KG

### Installation Step:

- ① Choose the appropriate wall to mount the bracket



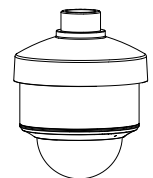
- ② Remove the lower dome of the dome camera



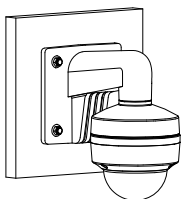
- ③ Install the base to the cap, fix the screw and modify the angle of view



- ④ Install the transparent housing and complete the combination of cap and dome



- ⑤ Install the combination to the bracket and complete the installation



**Note:** The figure of Dome in "Installation Step" is only for your reference; please adhere to our real products.