

## DS-2TD2166-15/25/35

Thermal Network Bullet Camera



### **Smart Function (Thermal Imaging)**

- Smart detection: intrusion detection, line crossing detection, region entrance detection, region exiting detection, audio exception detection
- Smart recording: support edge recording
- Smart encoding: support low bitrate and SVC adaptive codec technology

### **Thermal Imaging Module Function**

- 640\*512 resolution, high sensitivity sensor, support contrast adjustment
- Support shutter adjustment in various modes
- 3D DNR, 14 pseudo colors adjustable, image detail enhancement
- Support mirror image
- 15mm, 25mm and 35mm lens optional



## Specifications

Parameter		Model	DS-2TD2166-15/25/35		
			Thermal Network Bullet Camera		
Thermal Module	Image sensor	Vanadium Oxide Uncooled Focal Plane Detectors			
	Max. Resolution	640 × 512			
	Response waveband	8~14μm			
	NETD	< 50mk(@25°C,F#=1.0)			
	Reference	Human:1.8mx0.5m	Vehicle: 1.4mx4.0m		
	Lens (focal length)	15mm	25mm	35mm	
	MRAD	1.13	0.68	0.49	
	Detection range (Vehicles)	1353m	2255m	3157m	
	Detection range (Humans)	441m	735m	1029m	
	Recognition range (Vehicles)	338m	564m	789m	
	Recognition range (Humans)	110m	184m	257m	
	Identification range (Vehicles)	169m	282m	395m	
	Identification range (Humans)	55m	92m	129m	
	Field of View	39° ×32°	24° ×19°	17° ×14°	
	F number	1.0			
Network	Max. image resolution	640×512			
	Main stream	50fps(640×512)			
	Sub stream	50fps(640×512)			
	Video compression	H.264/MJPEG/MPEG4, H.264 encoding with Baseline/Main/High Profile, H.264+, H.265			
	Audio compression	G.711u/G.711a/G.722.1/MP2L2/G726/PCM			
	Protocols	IPv4/IPv6,HTTP,HTTPS,802.1x,Qos,FTP,SMTP,UPnP,SNMP,DNS,DDNS,NTP,RTSP,RTCP,RTP,TCP,UDP,IGMP,ICMP,DHCP,PPPoE,Bonjour			
	Simultaneous live view	Up to 20			
	User/Host level	Up to 32 users, 3 levels: Administrator, Operator, User			
	Security measures	User authentication (ID and PW), MAC address binding, HTTPS encryption, IEEE 802.1x access control, IP address filtering			
Integration	Alarm input	2 inputs (0-5vDC)			
	Alarm output	2 relay outputs, alarm response actions configurable			
	Alarm action	SD recording/Relay output/Smart capture/FTP upload/Email linkage			
	Audio input	1 3.5mm Mic in/Line in interface. Line input: 2-2.4V[p-p], output impedance:1KΩ±10%			
	Audio output	Line level, impedance: 600Ω			
	Reset	1 Reset button			
	Ethernet	1 RJ45 10M/100M Self-adaptive Ethernet interface			
	SD memory card	Built-in Micro SD card slot, support Micro SD/SDHC/SDXC card (up to 64G), support manual/alarm recording			
	Analog video output	1.0V[p-p] / 75Ω, PAL(or NTSC), BNC			
	Application programming	Open-ended API, support ONVIF, PSIA, CGI, HIKVISION SDK and third-party management platform			
	Client	iVMS-4200			
	Web browser	IE7+, Chrome18+, Firefox5.0+, Safari5.02+			
General	Menu language	English			
	Power	AC24V, DC12V, PoE(802.3at)			
	Power Consumption	Default 6W, 18W max(Enable lens deicing)			
	Working temperature Humidity	-40 °C-60°C(-40°F-140°F), Humidity 95% or less (non-condensing)			
	Protection level	IP66			
	Weight	2kg			

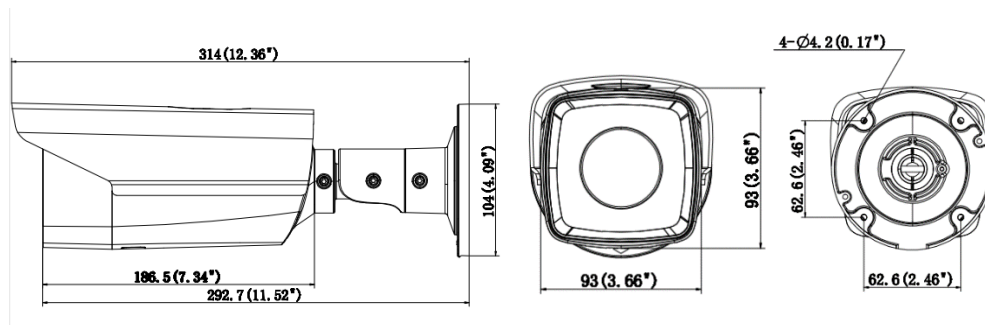
## Available Model

DS-2TD2166-15

DS-2TD2166-25

DS-2TD2166-35

## Dimensions



Unit: mm

## Accessories

Distributed by



### Headquarters

No.555 Qianmo Road, Binjiang District,  
Hangzhou 310051, China  
T +86-571-8807-5998  
overseasbusiness@hikvision.com

**Hikvision USA**  
T +1-909-895-0400  
sales.usa@hikvision.com

**Hikvision Italy**  
T +39-0438-6902  
info.it@hikvision.com

**Hikvision Singapore**  
T +65-6684-4718  
sg@hikvision.com

**Hikvision Europe**  
T +31-23-5542770  
saleseuro@hikvision.com

**Hikvision France**  
T +33(0)1-85-330-444  
info.fr@hikvision.com

**Hikvision Oceania**  
T +61-2-8599-4233  
salesau@hikvision.com

**Hikvision Middle East**  
T +971-4-8816086  
salesme@hikvision.com

**Hikvision Spain**  
T +34-91-737-16-55  
info.es@hikvision.com

**Hikvision Hong Kong**  
T +852-2151-1761

**Hikvision Russia**  
T +7-495-669-67-99  
saleru@hikvision.com

**Hikvision Poland**  
T +48-22-460-01-50  
poland@hikvision.com

**Hikvision Canada**  
T +1-909-895-0400  
sales.usa@hikvision.com

**Hikvision India**  
T +91-22-28469900  
sales@pramahikvision.com

**Hikvision UK**  
T +44-1628-9021-4  
support.uk@hikvision.com